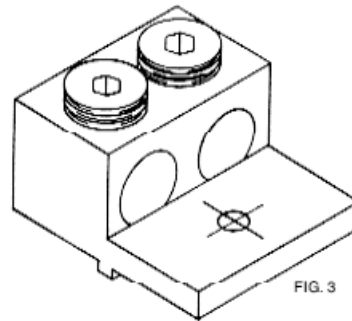


Lug with
Turn Prevent - AI



CMT. NO.	FIG.	WIRE RANGE CU9AL	# UPDATED 16-03								
			A	B	C	D	E	F	H	I	T
2/0TP	1	2/0-14	1.468	.781	.625	0.265	0.625	-	0.187	0.406	0.094
2/0TP-2	2	2/0-14	2.000	1.468	0.625	0.265	0.625	0.594	0.187	0.406	0.094
300TP	1	300 MCM-6	2.000	1.125	0.984	0.437	1.000	-	0.250	0.492	0.094
300TP-2	2	300 MCM-6	2.750	2.062	0.875	0.281	1.000	0.875	0.250	0.406	0.094
350TP	1	350 MCM-6	2.250	1.250	1.125	0.344	1.125	-	0.250	0.406	0.094
2-350TP	3	350 MCM-6	2.250	1.250	1.812	0.406	1.125	-	0.250	0.625	0.094
600TP	1	600 MCM-2	3.125	1.562	1.500	0.531	1.375	-	0.437	0.625	0.125

Material: High Strength, High Conductive Aluminum Alloy 6061T6 **Plating:** Tin Over Copper
 *Dimension from mounting hole center to nearest side of anti-rotation rib